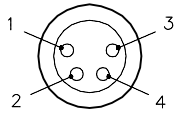
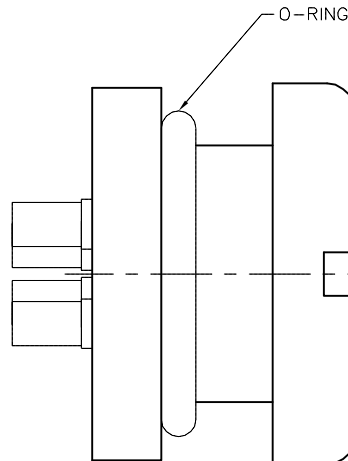
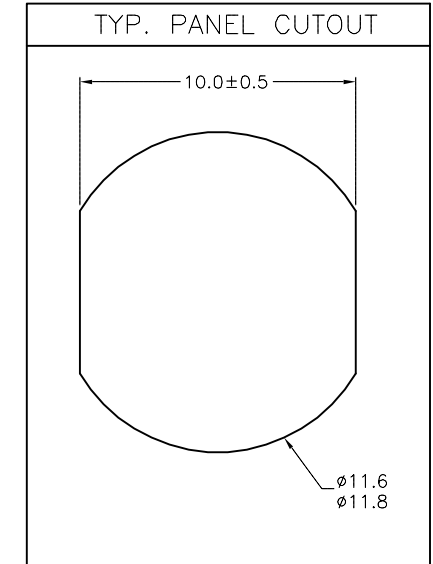
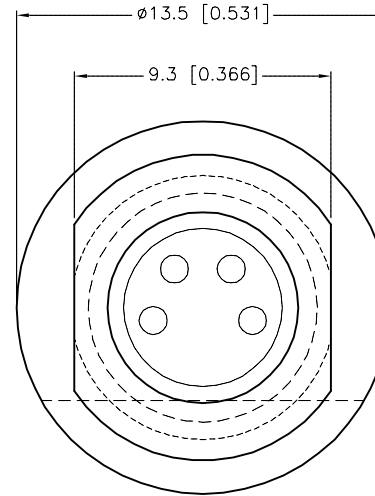
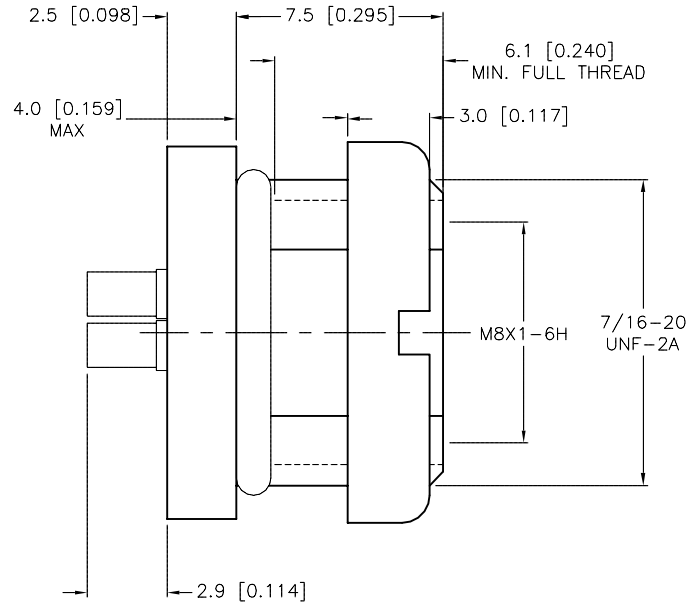


FEMALE END VIEW



SPECIFICATIONS

CONTACT CARRIER MATERIAL/COLOR	NYLON/BLACK
CONTACT MATERIAL/PLATING	BRASS/GOLD
HOUSING MATERIAL/PLATING	BRASS/NICKEL
O-RING MATERIAL	NITRILE
NUMBER OF CONTACTS [AWG]	SOLDER CUPS, 22 AWG MAX.
RATED CURRENT [A]	2.0 A
RATED VOLTAGE [V]	125 V
TEMPERATURE RANGE	-30°C to +80°C (-22°F to +176°F)
PROTECTION CLASS	MEETS NEMA 1,3,4,6P AND IEC IP67



SOURCE DRAWING - FOR REFERENCE ONLY

RELATED DOCUMENTS 1. 2. 3. 4.	3RD ANGLE PROJECTION 	THIS DRAWING IS CONFIDENTIAL AND THE PROPERTY OF TURCK INC. USE OF THIS DOCUMENT WITHOUT WRITTEN PERMISSION IS PROHIBITED.		3000 CAMPUS DRIVE MINNEAPOLIS, MN 55441 1-800-544-7769 (763) 553-7300 (763) 553-0708 fax www.turck.us		
	MATERIAL	ALL DIMENSIONS DISPLAYED ON THIS DRAWING ARE FOR REFERENCE ONLY	DRFT RDS	DATE 08/02/06	DESCRIPTION MFKS 4F	
			APVD	SCALE 4=1		
	FINISH	CONTACT TURCK FOR MORE INFORMATION	UNIT OF MEASUREMENT MILLIMETER [INCH]		IDENTIFICATION NO. U2-08599	REV C
DO NOT SCALE THIS DRAWING		FILE: U2-08599		SHEET 1 OF 1		

C	ADD PANEL CUTOUT	RDS	02/24/20	75679
REV	DESCRIPTION	BY	DATE	ECO NO.